



Projector Wall Mount

Model: PJ-670

1. Technical parameter

Weight : 2.4KG

Maximum load: 20kg

Tilt from ceiling: 0° ~ 90°

Pitch angle of projector: ± 30°

Rotation: 360°

Distance from ceiling: 470 ~ 670mm.

2. Part list :

Please check the parts in the package [compare](#) with the following list. Make sure all of the parts are in the package. Never use defective parts. Never replace part with different specification.

Note: Incorrect installation may cause injury!

--	Connection component	Assembled part	1	
--	Supporting component	Assembled part	1	
K	Short mounting plate	Standard part	4	
J	Spanner S=13	Standard part	1	
I	Inner hexagon spanner S=6	Standard part	1	
H	M5*10	Standard part	4	
G	M4*10	Standard part	4	
F	M3*10	Standard part	4	
E	Φ5 flat washer	Standard part	4	
D	Φ4 flat washer	Standard part	4	
C	Φ3 flat washer	Standard part	4	
B	Plastic washer	PA	1	
A	M8*60 Metal anchor	Standard part	4	
No.	Name of part	Material	Amount	

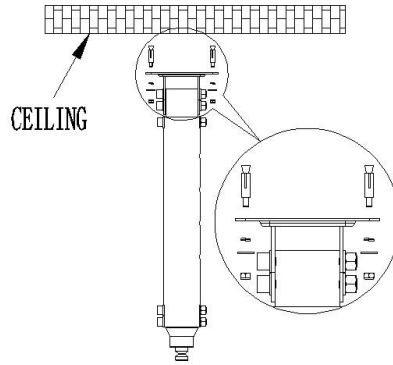
3. Installation and operation instructions

Note: please read the instructions carefully before installation!

Step 1:

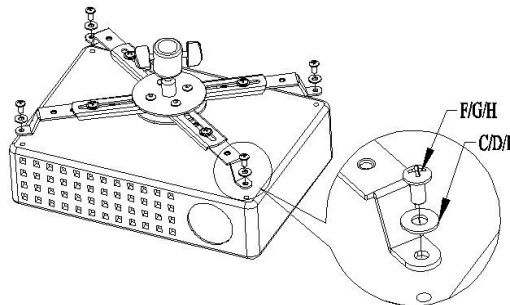
Use the fixing component as a templet to drill 4 holes of $\Phi 10\text{mm}$ and 50mm deep on the ceiling. The holes should be symmetrical and balanceable in horizontal and vertical direction. Insert four metal anchors into these holes, then tighten the fixing component.

Remove the flat washers, spring washers and nuts from the steel anchors, then place Fixing component on the four screws exerted, and then install the flat washers, spring washers and nuts on the four screws. Each nut should be screwed down to make the steel anchor and Fixing component and the ceiling be fastened.



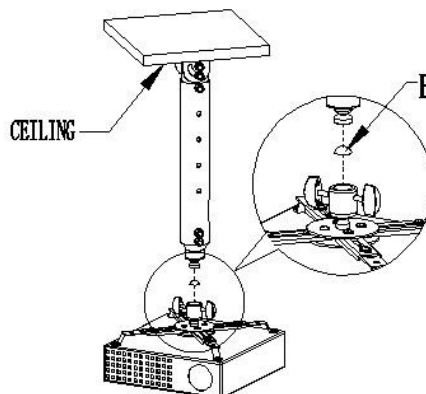
Step 2:

When mounting the connection components, the four Z-formed connecting patches should be laid reasonably according to the position of the holes in the upper part of the projector. And the screws should be selected according to the size of the thread holes in the projector, Please place the projector as center as possible, then screw all the bolts.



Step 3:

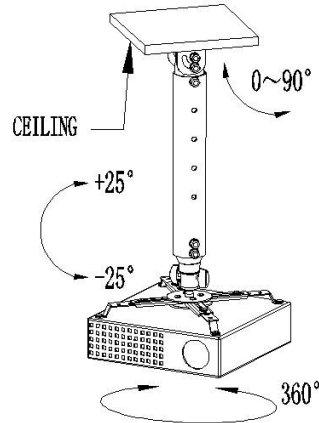
When mounting the projector, unscrew the knobs in two sides of the projector at first, and don't let the knob end over the inner surface to avoid failing to mount. And then put the plastic washer into the connection component. The purpose of mounting as the shape is to preventing internal abrasions. (Don't loose the two side knobs at the same time for fear that it drops).



Step 4:

After the installation has been completed, you may adjust the angle and the flex the distance of the project as your need.

Note: this product can be installed on the slantwise wall. Adjust the position of projector to a suitable place according to the different tilting angle.



4. Notes

- (1) Choose the right place to install projector mount. The mount must be installed on solid concrete ceiling. Make sure the ceiling can support 80kg weights up.
- (2) If you are unsure of any part of the installation process, contact a professional installer for assistance.
- (3) A minimum of two adults are required for this installation.
- (4) This mount is not intended for use in public places such as restaurant and hotels.

לקוח/ה יקר/ה,
חברת סיריוס אלקטרוניקה מודה לך על בחירתך במוצריה ומברכת אותך על הצטרפותך לקהל
לקוחותינו, הנהנים ממוצרי האיכות של המותגים המובילים בתחום הסטריאו, הקולנוע הביתי
והמולטימדיה.

לנוחותכם, באתר החברה תוכלו להתעדכן במוצרים משלימים למוצר,
למלא את תעודת האחריות וכן להירשם כחברים באתר
ולקבל עדכונים שוטפים על הנושאים המעניינים אתכם.

כתובת האתר: www.sel.co.il
כמו כן, הנכם מוזמנים לבקר באולם התצוגה


יבוא ושיווק סיריוס אלקטרוניקה בע"מ
היוצרים 6, אור יהודה טלפון: 03-7355000
www.sel.co.il